

Lifting Clutches

Leviat's range of lifting clutches includes the Ancon UniLift Locking Klaw.

The Ancon Locking Klaw provides the ideal lifting and handling system for a wide variety of precast concrete products, particularly in civil engineering applications, and is recognised for its superior safety features which protect against unwanted disconnection.

The range is suitable for working load limits from 1.3T to 32T.

- Fast, safe, efficient handling of precast products
- Recessed anchors avoid remedial work
- Compatible with other spherical head lifting anchors
- Meet the requirements of AS3850
- Test certificates available



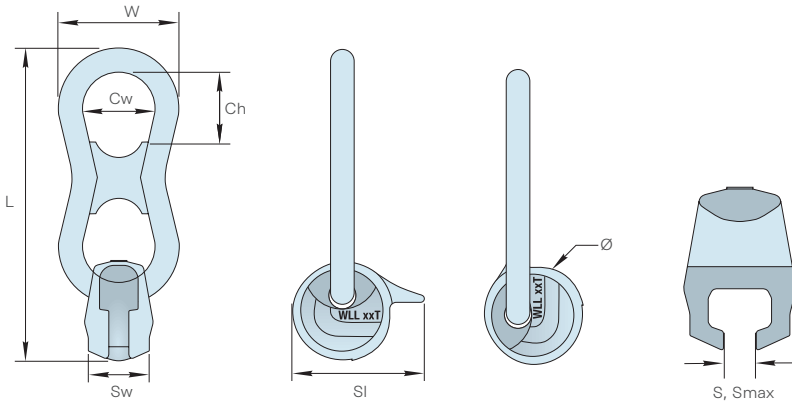
Ancon UniLift Locking Klaw
WLL 1.3T - 32T



Lifting Clutches

The Ultimate Lifting Clutch Range

The Ancon UniLift Locking Klaw is suitable for all working load limits up to 32T. These strong, safe, lightweight clutches are compatible with all spherical head lifting anchors from Leviat. Please contact us regarding compatibility with other lifting systems.



Locking Klaw

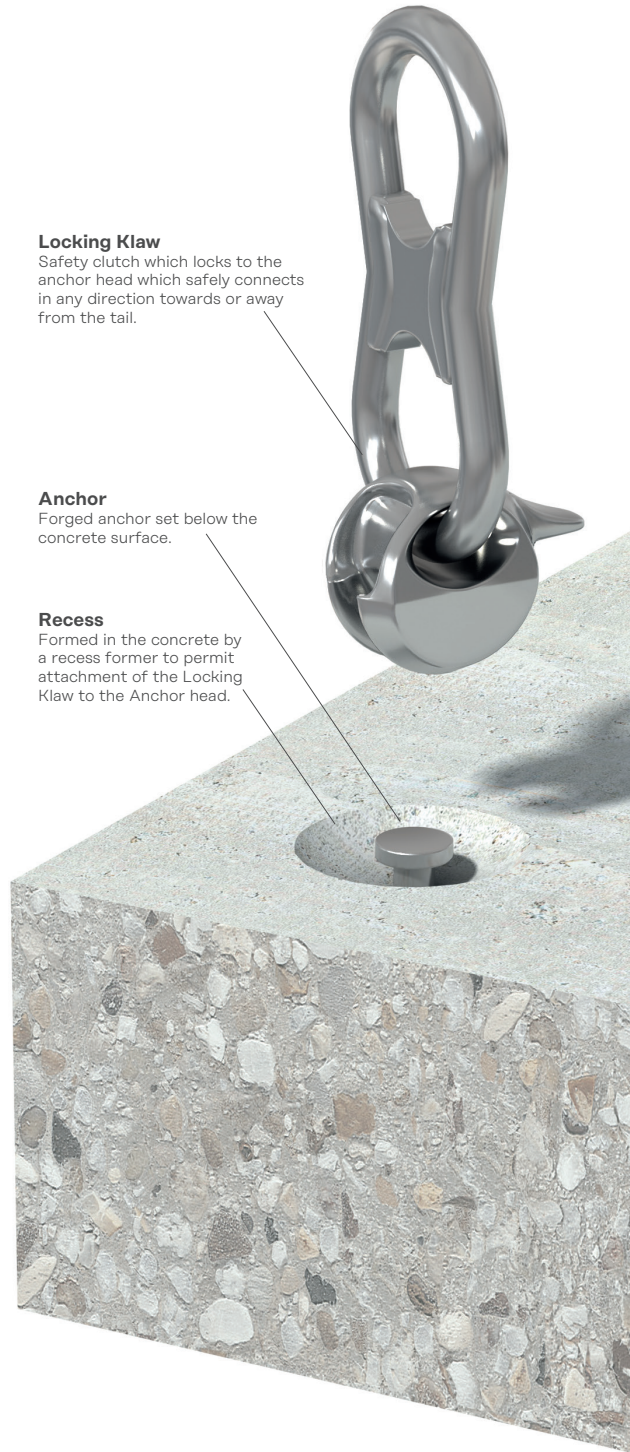
Safety clutch which locks to the anchor head which safely connects in any direction towards or away from the tail.

Anchor

Forged anchor set below the concrete surface.

Recess

Formed in the concrete by a recess former to permit attachment of the Locking Klaw to the Anchor head.



Part Codes and Nominal Dimensions

Part Code	Dimensions (mm)								
	L	W	Ch	Cw	Sw	SI	Ø	S	Smax
01LK	170	66	44	40	33	72	56	11	13
02LK	215	85	59	52	42	88	68	16	18
05LK	270	110	62	70	57	113	88	22	25
10LK	365	145	83	90	73	144	112	31	32
20LK	550	176	201	76	110	195	152	43	46
32LK	850	286	291	166	155	233	182	55	58

Working Load Limits

Part Code	Annual Proof Load kN	Nominal WLL Anchor	Weight Kg
01LK	24	1.3	0.76
02LK	36	2.5	1.47
05LK	60	5	3.13
10LK	120	10	7.20
20LK	240	20	20.0
32LK	384	32	48.0