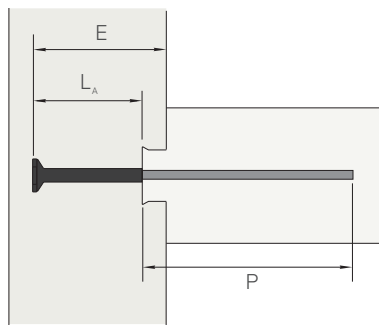


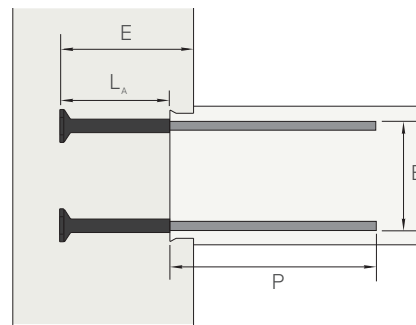
Enquiry/Order Form - Ancon KSN Anchor Box

Please provide product requirements and contact details. For orders please complete delivery details here:

Date	Order <input type="checkbox"/>	Enquiry <input type="checkbox"/>	Delivery Date
Company			Project
Address			Delivery Address
State	Post Code		State
Contact			Site Contact
Tel			Tel
Email			Email



Type A



Type AA

KSN Anchor Boxes placed deep in the pour can be subject to considerable forces that can deform the box and displace the anchors. In these applications 2 single row type A boxes can be used to replace one type AA box.

Reference (see Table A)	Quantity	Box Width (mm)	Type (see above)	Box Length (mm) (see note 1)	Anchor Centres (mm)	Starter Bar Length (mm) (see table C)	Delivery Options of Starter Bar

Notes

(1) Standard box lengths 800mm, 1000mm and 1200mm. Other lengths available on request.

Table A - Total Embedment for Ancon KSN Box

KSN Anchor	Anchor Length L _A (mm)	Total Embedment* E (mm)	Minimum Wall Thickness (mm)
KSN12-S	115	151	185
KSN12-M	150	186	220
KSN16-S	130	166	200
KSN16-M	160	196	230
KSN20-L	190	226	160
KSN20-S	150	186	220
KSN20-M	190	226	260
KSN20-L	230	266	300

*Total embedment is the sum of the anchor length and the 36mm box depth.

Table B - Ancon Standard KSN Box Sizes and Dimensions

Box Width (mm)	Slab Thickness* (mm)	Bar Size (mm)	Outer Bar Size B (mm)
85	N/A	N/A	N/A
120	155-185	12	90
	155-185	16	86
150	185-225	12	120
	185-225	16	116
	175-215	20	110
	225-255	12	160
190	225-255	16	156
	215-245	20	150
	255-300	12	190
220	255-300	16	186
	245-300	20	180

* Slab thickness is based on 30mm concrete cover and 5mm tolerance.

** KSN20 anchors only available for Box Widths of 150mm and above.

Table C - Ancon BT Starter Bars

Rebar	Ancon BT Starter Bar	Part No.	P (mm)
N12	Ancon BT Starter Bar N12	BTTTB 12535	521
N16	Ancon BT Starter Bar N16	BTTTB 16700	680
N20	Ancon BT Starter Bar N20	BTTTB 201000	976

Other lengths available on request.